



WARP KNITTING
经编机

RDJ 7/1 EN

RDJ 7/1 EN Double Needle Bar Machines for high-quality production for all sorts of Jacquard spacer fabrics

RDJ 7/1 EN双针床经编机, 生产各类高品质贾卡间隔面料

Your benefit

- Enhance customer's design possibilities:
 - One additional guide bar (6 GB and 1 JB)
 - EN drive for highly efficient production speed combined with easy and flexible patterning
 - Counter-lapping of Jacquard bars possible
- Placement of holes for breathability or additional design effects
- Two sectional beams for Jacquard bar allows easy threading and long life cycle of yarn
- Wide range of product applications

您的优势

- 增强设计可能性:
 - 更多的地梳 (6把GB和1把JB)
 - EN提花机构, 保证高效的生产速度、简便的操作和灵活的提花能力
 - 分离的贾卡梳可以反向垫纱
- 网孔用于透气或产生额外的设计效果
- 贾卡梳采用两套经轴, 穿纱方便, 增加运行周期
- 产品应用广泛

RDJ 7/1 EN

Technical data

技术参数

Working width / Gauge

3505 mm = 138"
E 22, E 24

Knock-over comb bar distance

2–5 mm, continuously adjustable, incl. patented stitch comb swivelling device

Option: central trick plate distance readjustment

Bars / Knitting elements

Two needle bars with latch needle units, two knock-over comb bars, two stitch comb bars, six ground guide bars, one Piezo Jacquard bar (split execution)

Option: individual needle bars

Warp beam support

8 × 812 mm = 32"
(free-standing)

KAMCOS®

(KARL MAYER COMMAND SYSTEM)

Operator interface to configure, control and adjust the electronic functionality of the machine

Fabric take-up

Four-roller system, driven by an electronic drive

Batching device

No. 14-J1

Pattern drive

EN-drive with eight electronic guide bar drives
Max. shog distance:
ground 18 mm, Jacquard 10 mm

Electrical equipment

Speed-regulated main drive, power-failure safe with separate fine-positioning function, total connected load 25 kVA

工作门幅/机号

3505 mm = 138英寸
E 22, E 24

脱圈板间距

2–5 mm, 无极调节, 配有受专利保护的沉降片床释放装置

选配: 脱圈板中央隔距调节装置

床体/成圈机件

2个装有舌针针块的针床, 2个脱圈板床以及2个运动的沉降片床。6把地梳, 1把贾卡梳(分离式)

选配: 嵌入式针床

经轴架

8 × 812 mm = 32英寸
(独立式)

卡迈酷斯® (卡尔迈耶控制系统)

操作界面, 用于设置、控制和调节机器的电控部分功能

织物牵拉机构

4罗拉系统, 由电机传动

卷取机构

14-J1 号卷取机构

提花机构

配备8个横移电机的EN提花机构

最大横移距离:

地梳18 mm, 贾卡梳10 mm

电子设备

调速主电机, 断电保护, 具有独立的精确定位功能, 机器总连接负载25千伏安

End uses

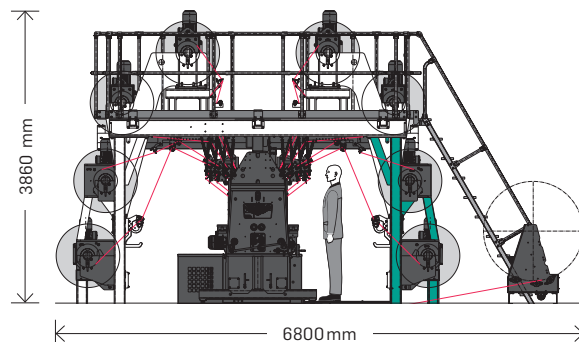
Spacer, shoe fabric, outerwear, medical, semi-technical application, mattresses

终端用途

间隔织物, 鞋材, 外衣, 医疗, 半技术应用, 床垫



RDJ 7/1 EN knitting elements
RDJ 7/1 EN成圈机件



Total width 宽度
7000 mm
Total depth 纵深
6800 mm
Total height 高度
3860 mm